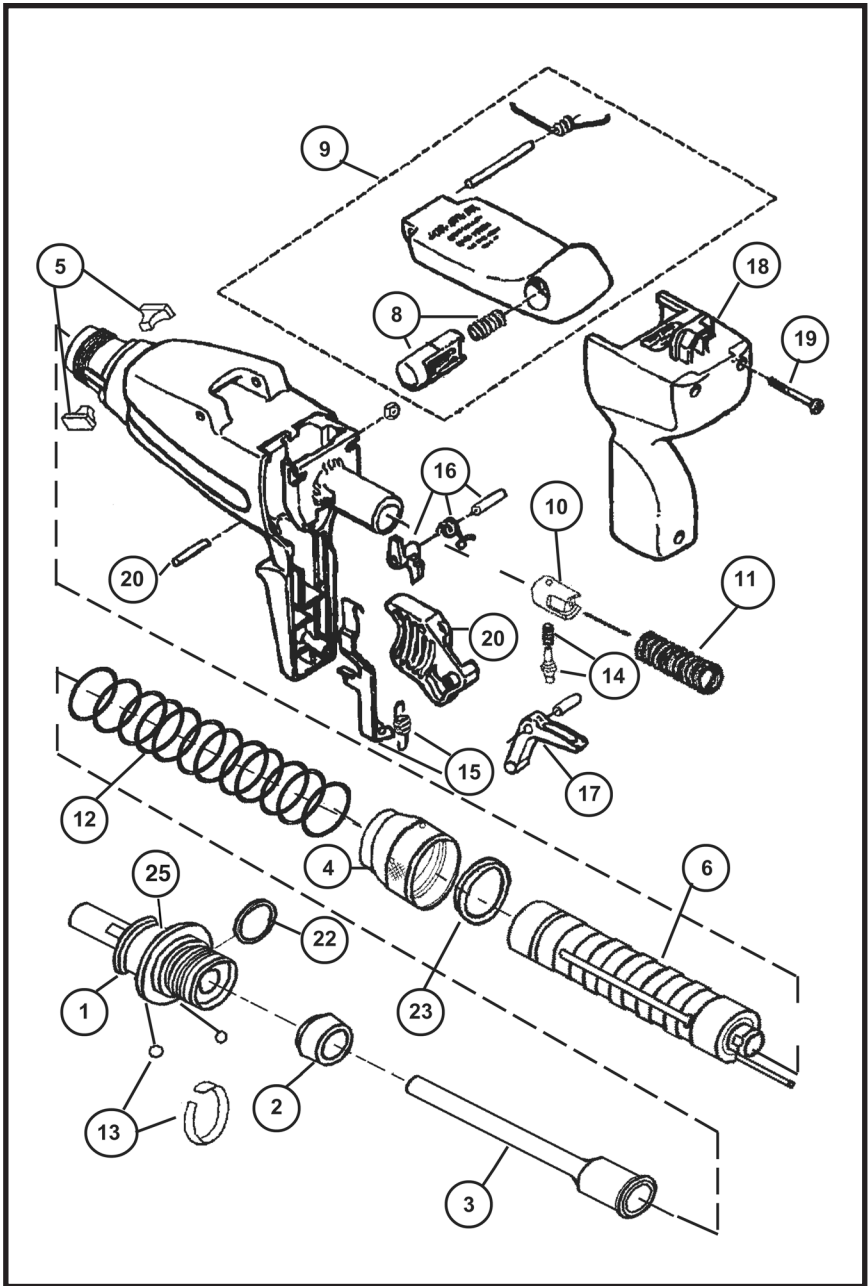


D45A PARTS SCHEMATIC



RAMSET D45A TOOL PARTS LIST

KEY	PART NO.	DESCRIPTION
1	323300	MUZZLE BUSHING ASSEMBLY
2	316520	BUFFER (PKG OF 3)
3	30645	PISTON
4	323020MA	BARREL RETENTION COLLAR ASSEMBLY
5	316540	PAWL (PKG OF 2)
6	323390A	BARREL ASSEMBLY
8	308490	LATCH BUTTON ASSEMBLY
9	13510	COVER ASSEMBLY
10	307890	FIRING PIN ASSEMBLY
11	13953	FIRING PIN SPRING
12	335175M	RETURN SPRING
13	323050A	RETENTION CLIP AND BEARINGS
14	316570	FIRING PIN PAWL AND SPRING
15	13518	INDEXING LEVER AND SPRING
16	13516	TRIGGER LOCK ASSEMBLY
17	316580	SEAR ASSEMBLY AND PIN
18	309280	REAR HANDLE ASSEMBLY
19	308860	READ HANDLE SCREWS AND NUTS
20	13509	TRIGGER AND PIN
21	12266	SPALL GUARD (NOT SHOWN)
22	351000	MUZZLE BUSHING O-RING
23	351001	RETENTION COLLAR O-RING
24	30645OTS	THREADED STUD PISTON (NOT SHOWN)
25	323110	MUZZLE BUSHING SHROUD (NOT SHOWN)
26	32330038M	3/8 MUZZLE BUSHING ASSY. (NOT SHOWN)