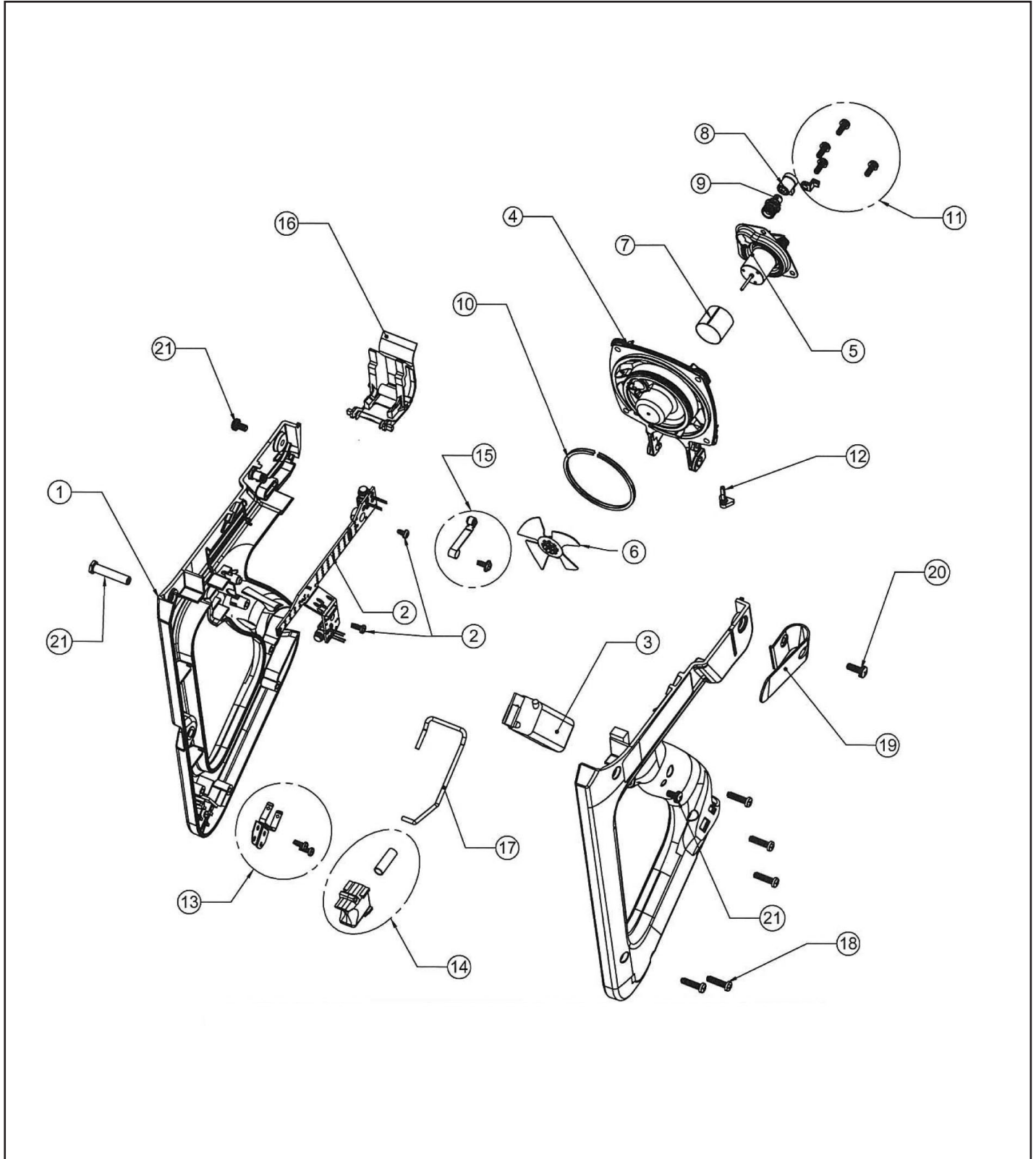


ORDER BY PHONE: 1-800-241-5640

KEY	PART NO.	DESCRIPTION
1	100098A	FLANGE SCREWS AND LOCKOUT BRACKET SUPPORT
2	100041A	ACTUATOR ASSEMBLY
2A	100041LA	MAGNETIC LATH ADAPTER (NOT SHOWN)
3	100040A	ACTUATOR / NOSE ASSEMBLY
4	100048	CAGE
5	100050	PISTON ASSEMBLY
6	7405055	PISTON RING (PKG 2)
7	902233	COMBUSTION CHAMBER ASSEMBLY
8	408827A	COMBUSTION CHAMBER / PIN AND SPRING (PKG 2)
9	100174	BUMPER
10	100178A	SLEEVE ASSEMBLY (WITHOUT BUMPER) WITH STEEL RINGS AND MUFFLER ASSEMBLY
11	100158	HOUSING RING
12	100053	HOUSING ASSEMBLY
13	100045	SHROUD
14	100044A	NOSE COVER (WITH SCREWS)
15	100266	CAP ASSEMBLY
16	901063A	CAP SCREWS (4)
17	900934A	STEEL RING, SLEEVE (2)

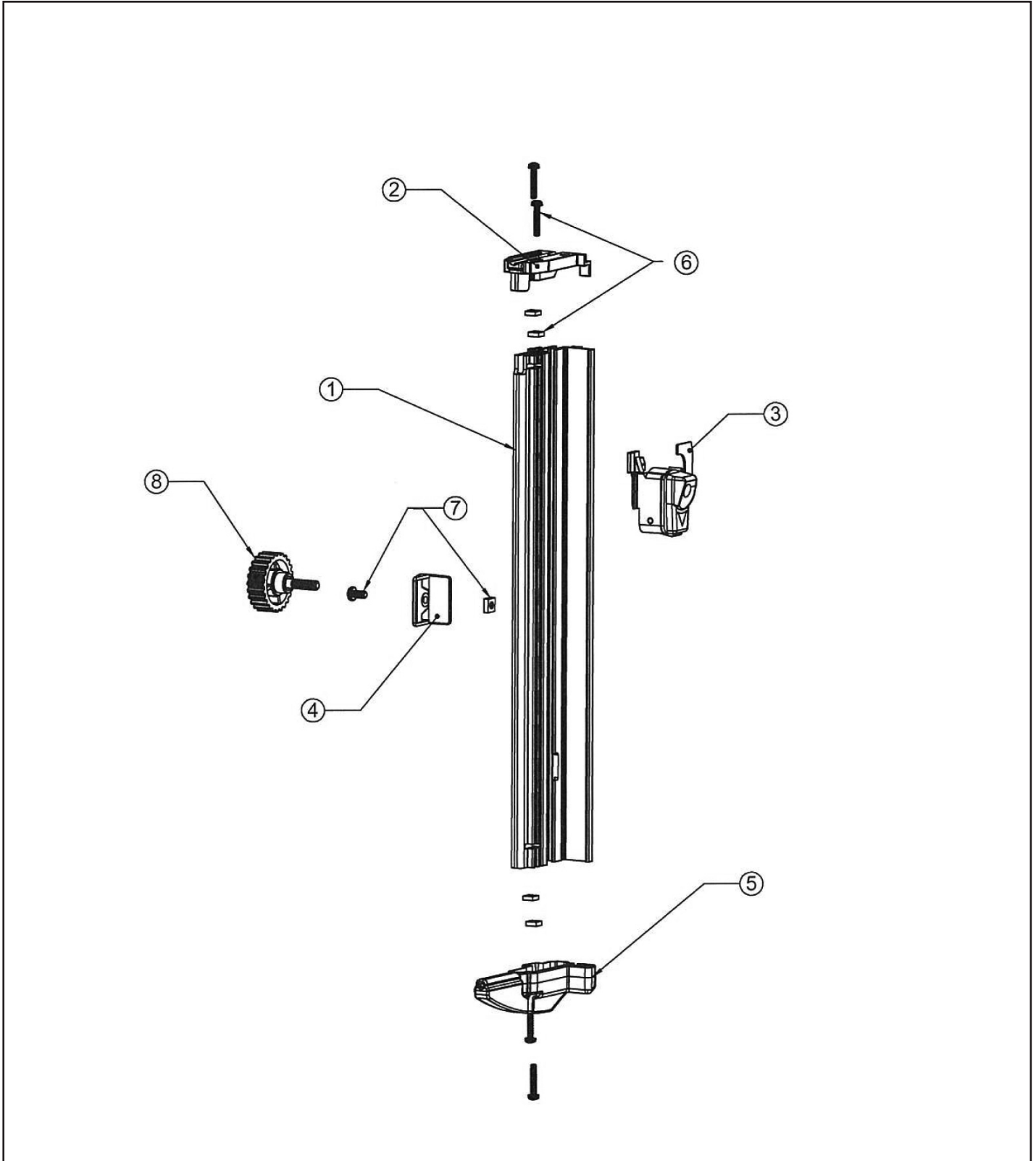
ORDER BY PHONE: 1-800-241-5640



ORDER BY PHONE: 1-800-241-5640

KEY	PART NO.	DESCRIPTION
1	100056A	RIGHT AND LEFT HANDLE HALF
2	100059A	MOLDED CIRCUIT BOARD W/MOUNTING SCREWS
3	900474	MSU
4	100058	CYLINDER HEAD
5	901396	MOTOR ASSEMBLY, FAN
6	403167	FAN BLADE ASSEMBLY
7	401356	MOTOR SLEEVE
8	100157	HIGH VOLTAGE WIRE ASSEMBLY
9	7505164	SPARK PLUG ASSEMBLY
10	900935A	CYLINDER HEAD STEEL RINGS (PKG OF 2)
11	900596A	CYLINDER HEAD SCREWS AND WIRE BRACKET
12	401340	RED STEM ADAPTOR
13	100095A	BATTERY CONTACTS AND SCREWS
14	404435A	TRIGGER AND SPRING
15	100184A	LEVER ASSEMBLY AND SCREW
16	900966	ACTUATOR ASSEMBLY
17	100097	CHAMBER LOCKOUT BAR
18	B0100A	HANDLE SCREWS
19	401495	BELT HOOK
20	401407	CYLINDER HEAD/BELT HOOK SCREW
21	100060A	HANDLE TO HOUSING BUSHING AND SCREWS

ORDER BY PHONE: 1-800-241-5640



ORDER BY PHONE: 1-800-241-5640

KEY	PART NO.	DESCRIPTION
1	100043	RAIL
2	100042	SHEAR BLOCK
3	100062	FOLLOWER ASSEMBLY, COMPLETE
4	100067	RAIL TO HANDLE BRACKET
5	100066A	FOOT
6	100064A	SHEAR BLOCK / FOOT SCREW AND NUT (4 EA)
7	100100A	BRACKET SCREW AND NUT (1 EA)
8	801124	KNOB ASSEMBLY

ORDER BY PHONE: 1-800-241-5640